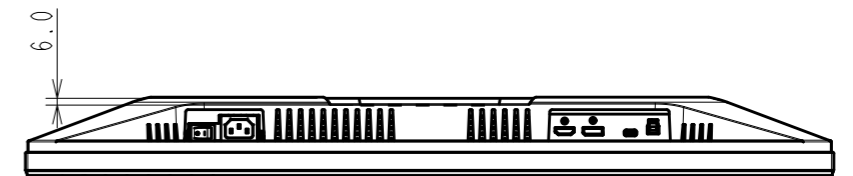
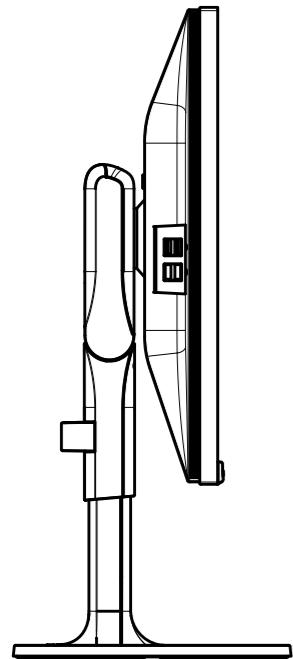
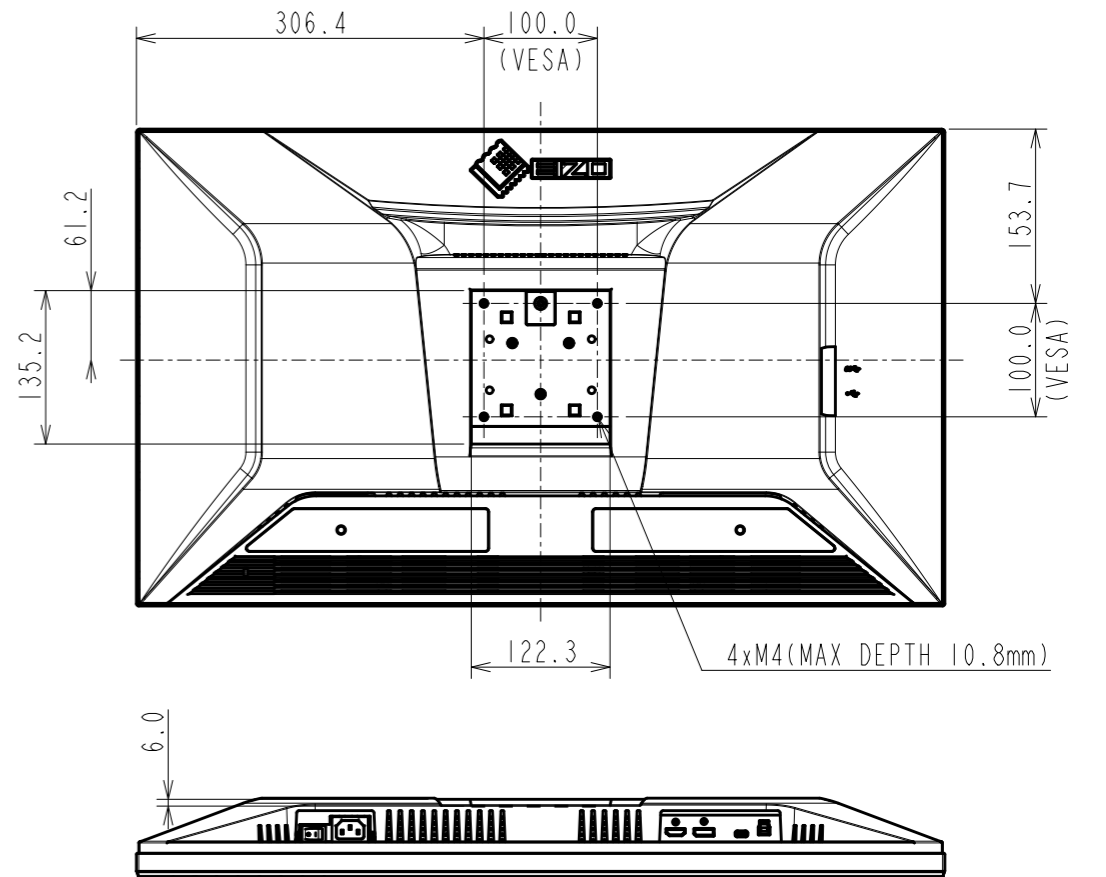
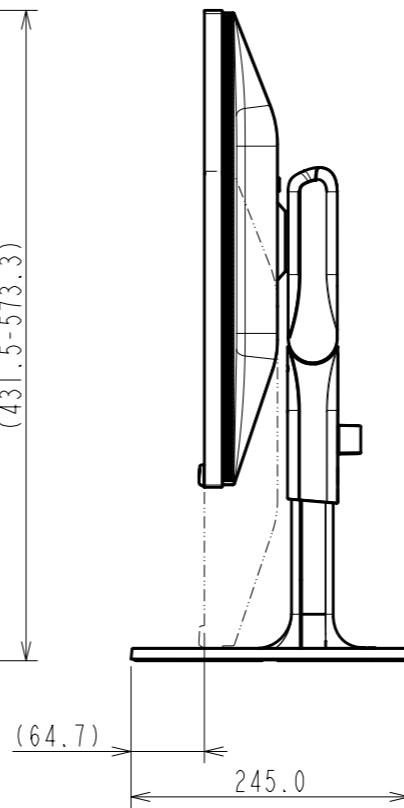
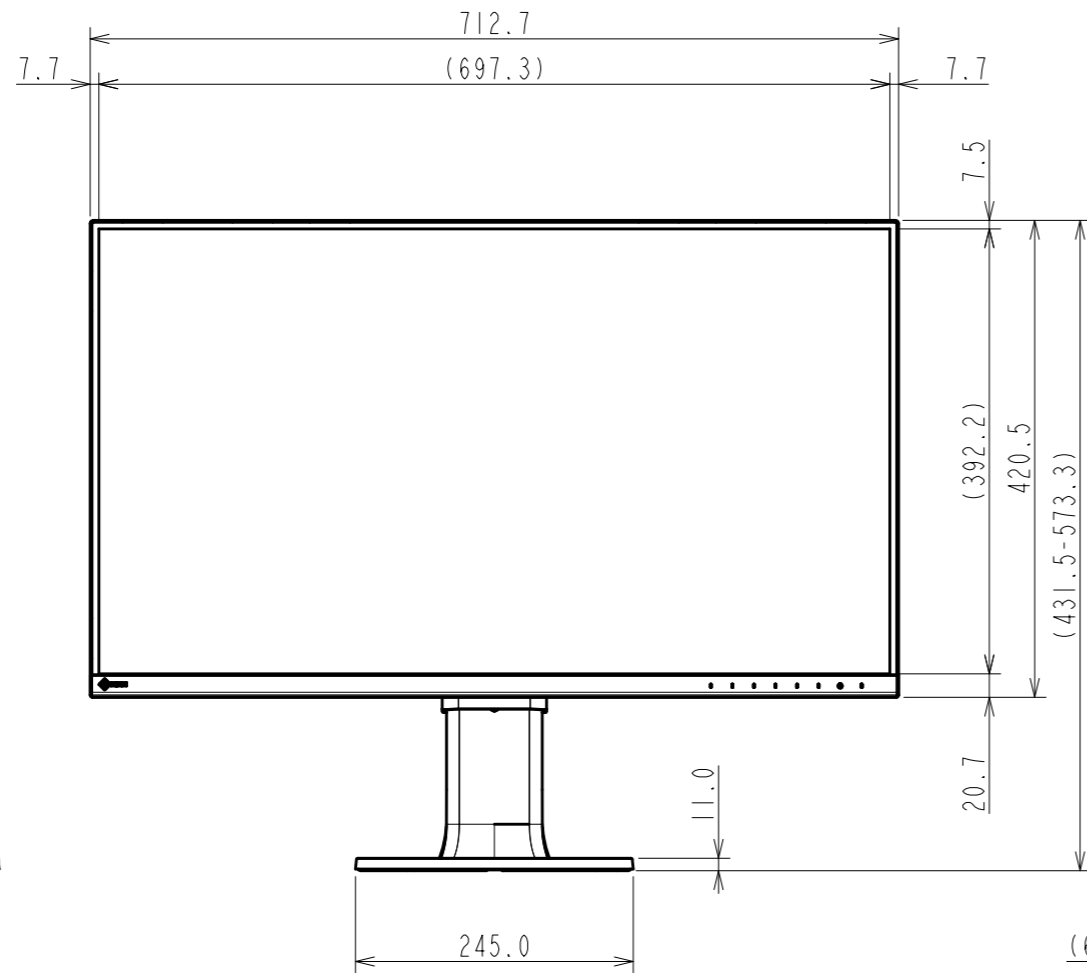
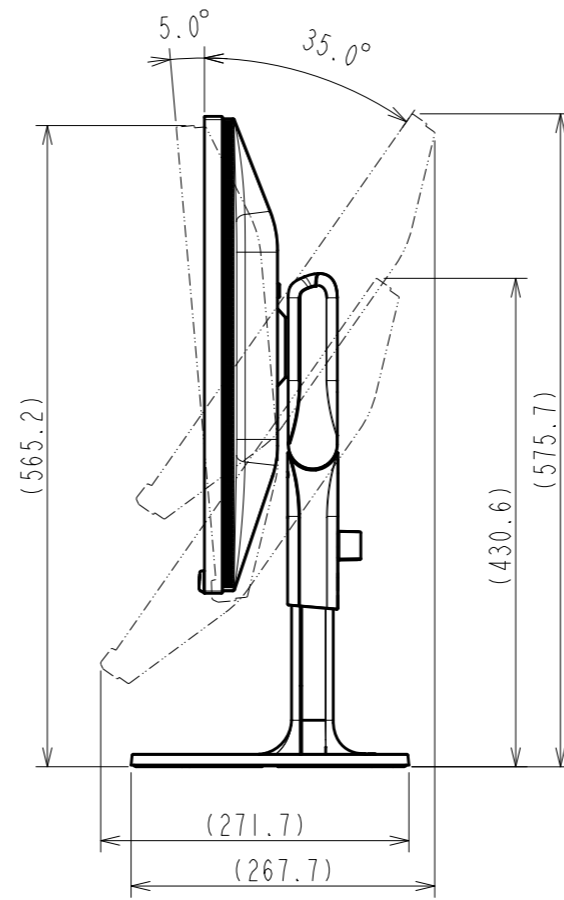
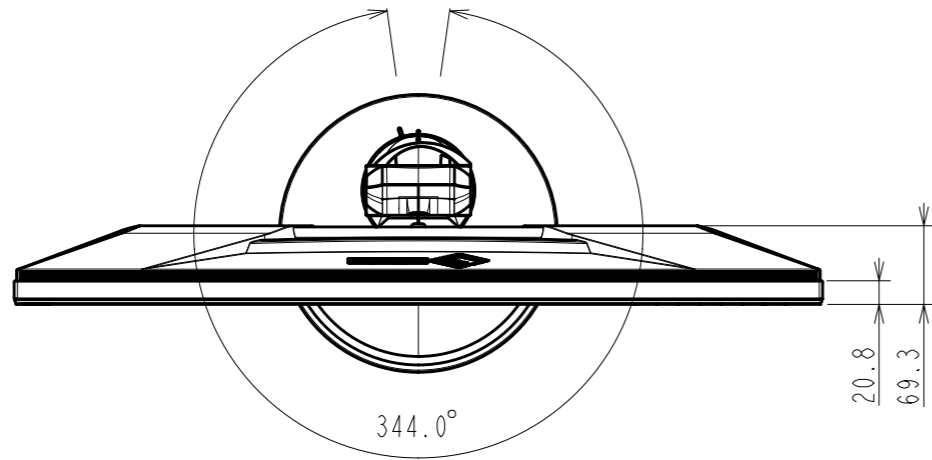


OUTLINE DIMENSIONS

MODEL CS3200X

UNIT mm

EIZO Corporation



OUTLINE DIMENSIONS

MODEL CS3200X

UNIT mm

EIZO Corporation

